

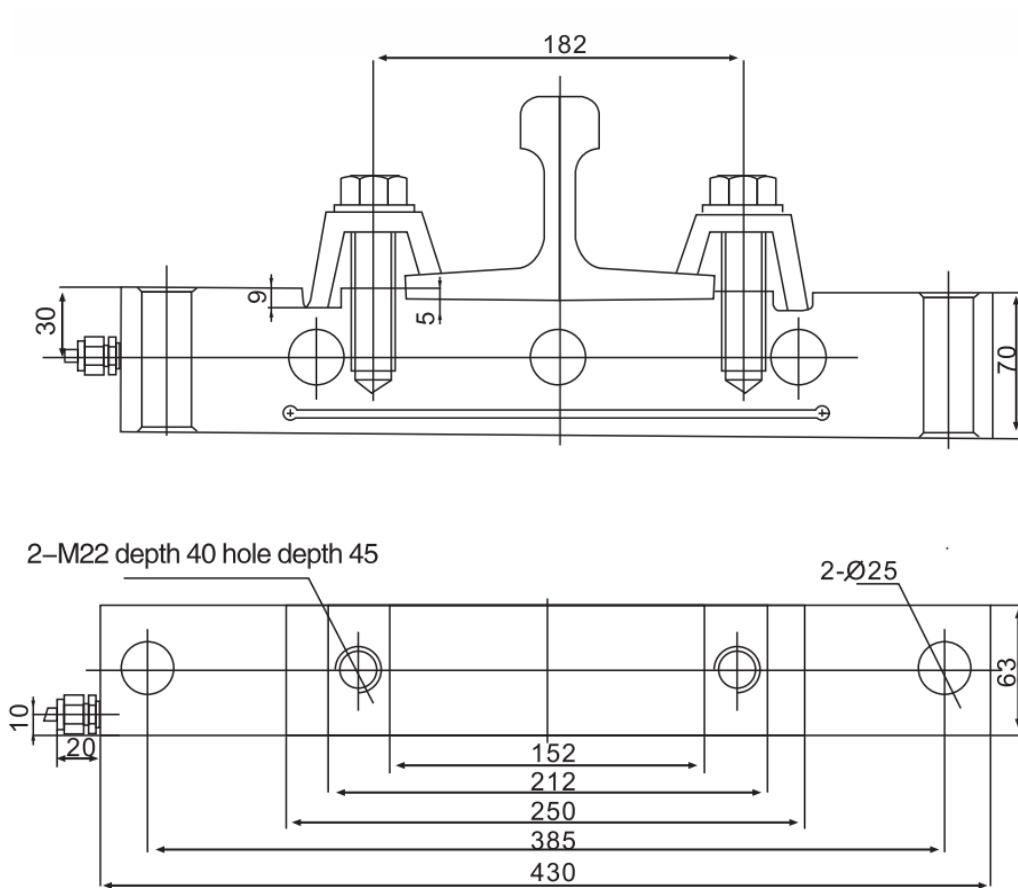
# A-DESB06 Double Ended Shear Beam load cell



## Description

A-DESB06 double ended shear beam load cell have Simple and reliable load bearing, easy to installation and changing, suitable for various railway scale

## Main Dimensions and Accessories(mm)



## Specifications

Capacity	12.5, 20, 30 ton		
Sensitivity	$2.0 \pm 0.002 \text{mV/V}$	Input resistance	$750 \pm 10 \Omega$
Total error	$\pm 0.3\% \text{F.S}$	Output resistance	$702 \pm 3 \Omega$
Creep in 30 minutes	$< \pm 0.03\% \text{F.S}$	Safe overload	$150\% \text{F.S}$
Temperature effect span	$< \pm 0.02\% \text{F.S}/10^\circ \text{C}$	Excitation voltage	10 ~12V DC
Temperature effect zero	$< \pm 0.02\% \text{F.S}/10^\circ \text{C}$	Maximum excitation voltage	15V DC
Compensated temperature range	$-10 \sim +40^\circ \text{C}$	Insulation resistance	$\geq 5000 \text{M}\Omega$
Operating temperature range	$-30 \sim +70^\circ \text{C}$	Environmental protection	IP67/68
Zero balance	$\pm 1\% \text{F.S}$	Material	Alloy steel
Cable: 12 m			
Wring: +Exc (Red) ; - Exc (Black); + Sig (Green); - Sig (White)			