

A-SBT10 shear beam load cell



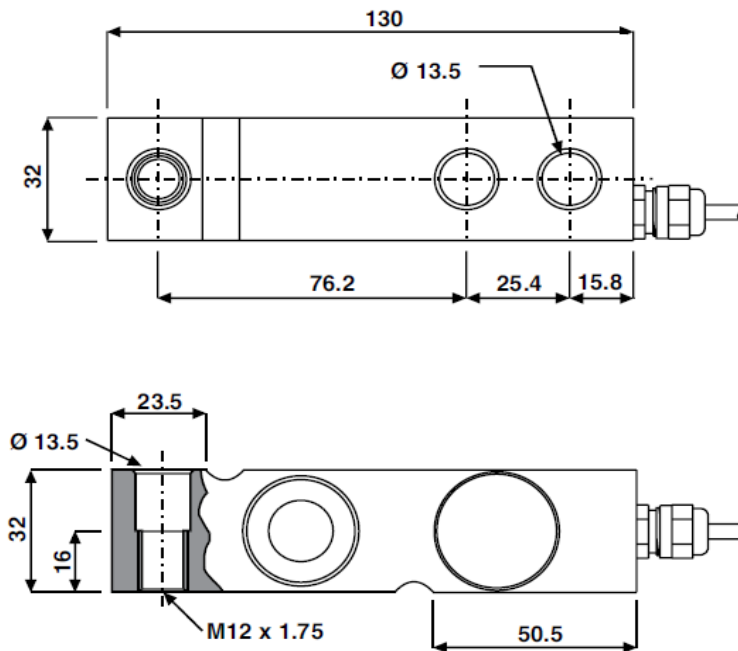
Description

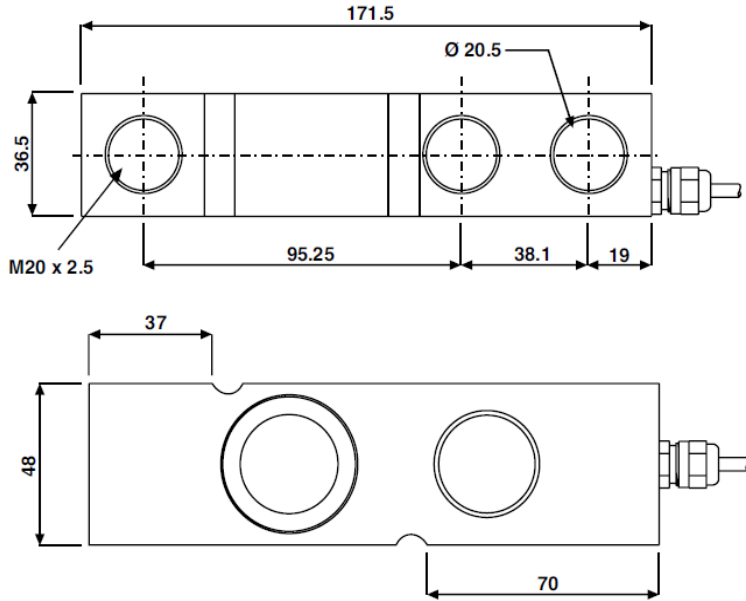
A-SBT10 stainless steel load cell provides the weighing industry with the ultimate protection for hostile environments, its low profile and all welded sealing combined with high accuracy makes this load cell ideally suited for low profile platform scales, easily install.

Application

- Low profile platforms
- Pallet truck weighing
- Tank and silo weighing
- Harsh environment weighing
- Food industry weighing

Main Dimensions and Accessories(mm)





Specifications

Capacity	300 kg, 500 kg, 1000 kg , 2000 kg ,3000 kg ,5000 kg		
Rated output	2.0 for kg	Input resistance	380±10Ω
	3.0 for lbs	Output resistance	350±3Ω
Total error	0.05,C3	Safe overload	150%F.S
Creep in 30 minutes	<±0.02%F.S	Ultimate overload	300%F.S
Temperature effect span	<±0.02%F.S/10°C	Excitation voltage	10V AC/DC
Temperature effect zero	<±0.02%F.S/10°C	Maximum excitation voltage	15V AC/DC
Compensated temperature range	-10~+40°C	Insulation resistance	≥5000MΩ
Operating temperature range	-30~+70°C	Environmental protection	IP67/68
Zero balance	±1%F.S	Material	stainless steel

Cable: 5m

Wring: +Exc (Blue) ; -Exc (Black); +Sig (White); -Sig (Red); +Sen (Green); -Sen (Gray)