

JBS-E junction box housing



Description

JBS-E series junction boxes/summing box are designed to use in every kind of industrial weighing applications especially in harsh environments. It could support up to 8 routes inputs from load cells/sensors and sum the generated signals into a single output.

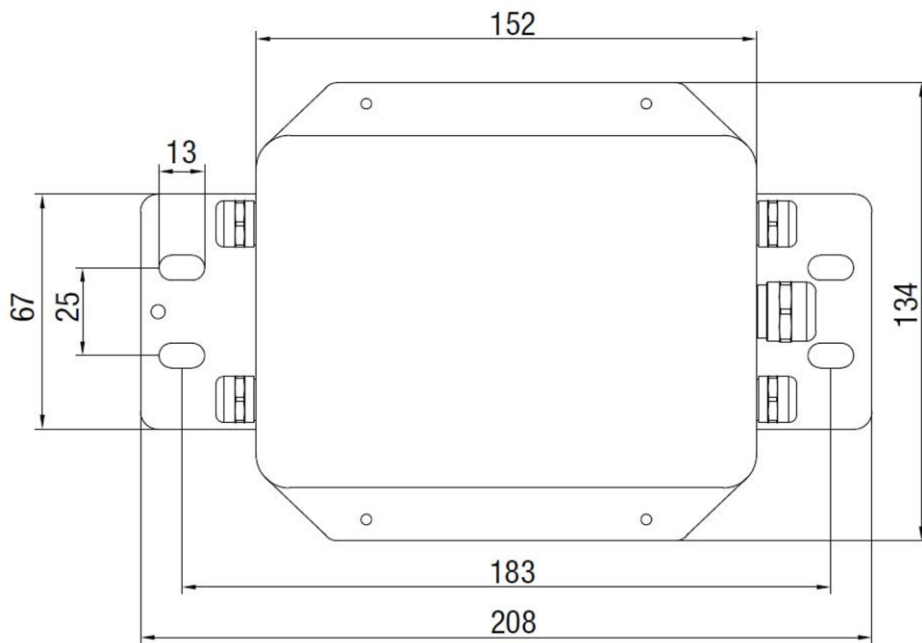
Characteristic

- Full stainless steel housing
- One time impact molded, no seams
- Thickened sealing rings
- IP67, good sealing performance, suitable for harsh environment
- White, black waterproof joint available

Main Dimensions(mm)

4 route

Support up to 4 load cells/sensors, sensor cables diameter, 3~6mm, instrument cables diameter, 4-8mm.



8 route

Support up to 8 load cells/sensors, sensor cables diameter, 4~8mm, instrument diameter range, 4-8mm.

